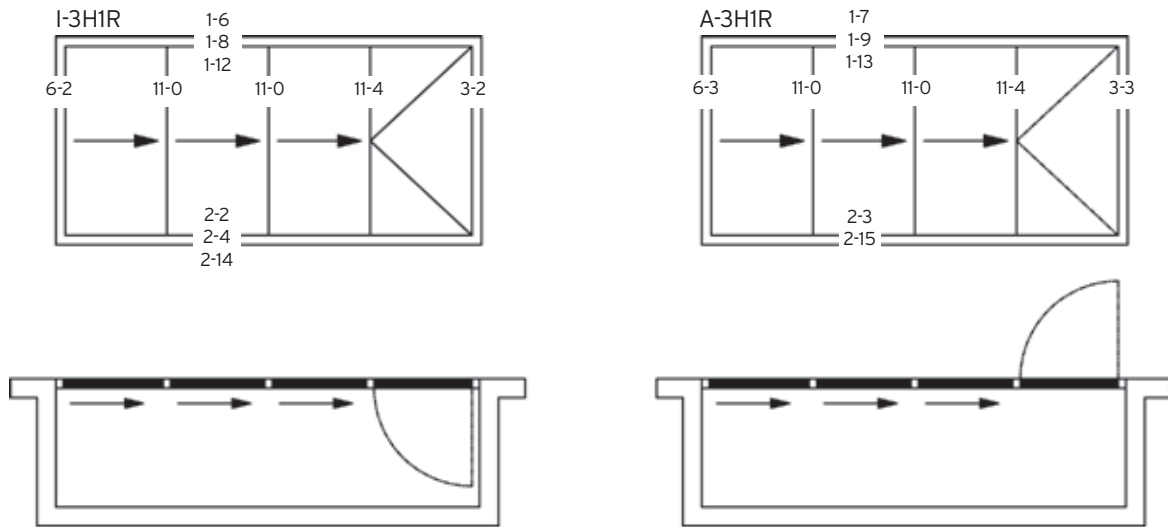


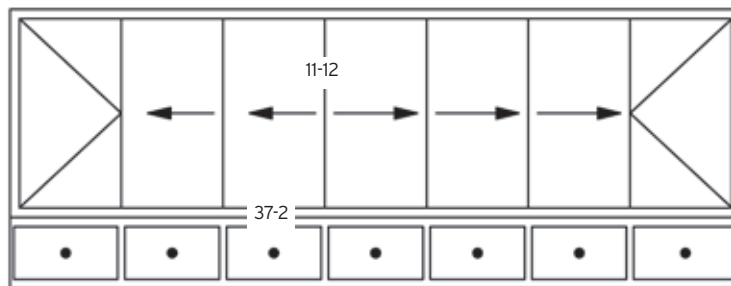
Innenansicht

View from the Inside



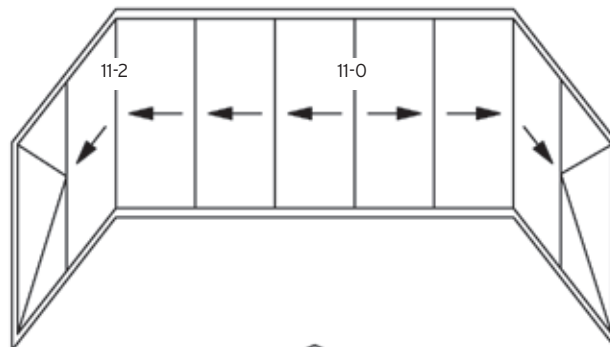
Schiebe-Dreh-System auf Brüstung / slide and turn system on balustrade

I-1L2H 3H1R

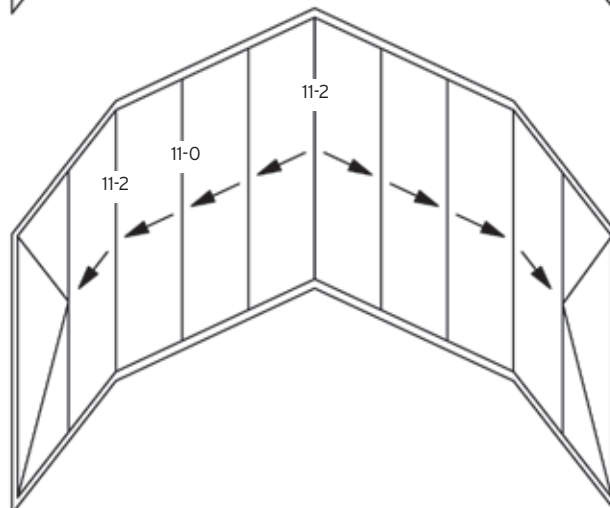


Grundriss mit Abwicklung
angled layout

I-1L4H 3H1R



I-1L4H 4H1R



Grundrissbeispiele:

(Die Parkposition muss im Einzelfall geprüft werden)

Possible Configurations:

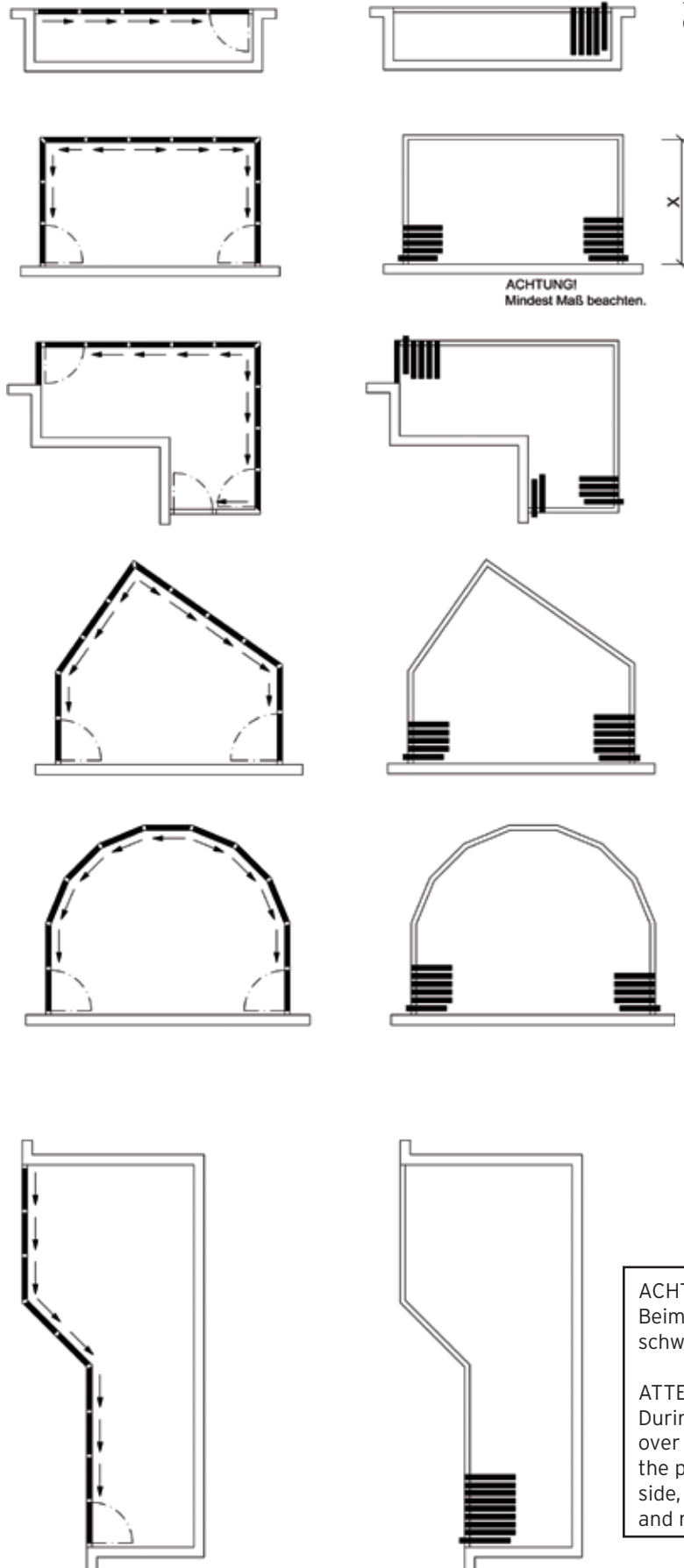
(As there can be many other options, please submit your ideas and sketches to SOLARLUX for evaluation.)

Parksituation

(Typ I dargestellt)

Stacking Options

(Typ I illustrated)



Please make sure to check the minimum length.

ACHTUNG!
Mindest Maß beachten.

ACHTUNG!
Beim Überfahren einer Ecke
schwenken die Flügel aus.

ATTENTION:
During operation procedure
over segments, the edge of
the panel will stick out to the
side, depending on the width
and number of panels.